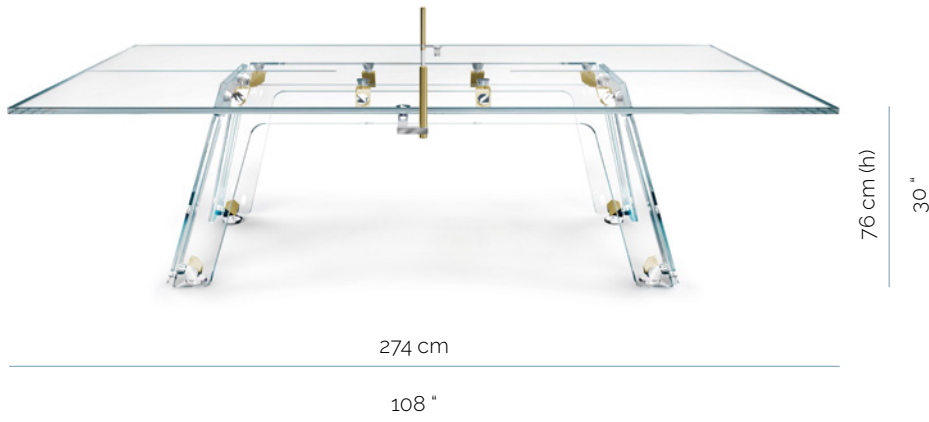


Lungolinea Gold



MATERIALS

Low-iron glass
Polished metal components
24k gold plated connecting joints
Alcantara® net

PRODUCT WEIGHT

220 kg / 485 lbs

ACCESSORIES

1 Table tennis net kit
2 Professional rackets
4 Professional balls

PACKAGING INFORMATION

204 cm x 151 cm x 50 cm (h)
80" x 59" x 20" (h)
340 kg / 750 lbs

SELECTED METAL



24k gold plated

DETAILS



Polished metal component
24k gold plated connecting joint



Removable Alcantara Net



Polished metal component
24k gold plated connecting joint