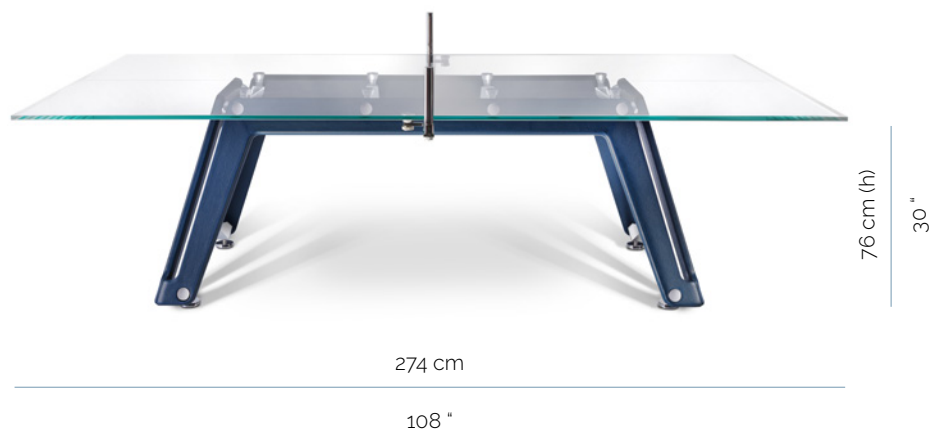


IMPAGIA

Lungolinea Leather



MATERIALS

Low-iron glass table top
Leather table base, options p. 91
Chrome metal components
Alcantara® net

PRODUCT WEIGHT

200 Kg / 441 lbs

ACCESSORIES

1 Table tennis net kit
2 Professional rackets
4 Professional balls

PACKAGING INFORMATION

204 cm x 151 cm x 50 cm (h)
80" x 59" x 20" (h)
320 kg / 705 lbs

SELECTED METAL



Chrome



Black nickel

DETAILS



Chrome metal components
Leather table base



Removable Alcantara Net



Low-iron glass table top
Leather table base

Lungolinea Leather Selected Alcantara



Anthracite



Terra



Powder

Unotto and Tuttuno Selected Alcantara



Anthracite



Pearl



Sky



Powder



Sea Sand



Fern



Terra



Stone



Pompeian



Cyclamen

Lungolinea, Unotto and Tuttuno Selected Leathers



Nero



Tobacco



Vino



Beige



Viola



Arancio



Prato



Gray



Ash



Navy

Colours are indicative. For more info please see our sample charts.

I colori sono indicativi. Per maggiori informazioni si prega di consultare la nostra cartella colori.